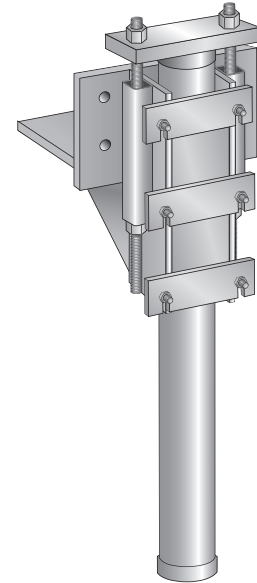
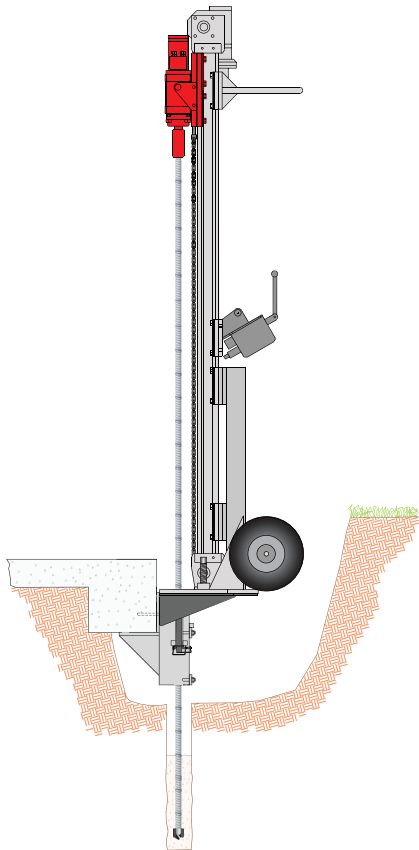




The Micropile Bracket

The ECP Model 350MP allows you to install a pre-engineered steel underpinning bracket for your next foundation repair project requiring Hollow Bar Micropiles. This unique patent pending design was developed to make use of Micropiles for underpinning with the advantage of an engineer designed bracketing system. This unique design is especially effective where other foundation repair systems fail due to debris or extremely hard rock/soil layers. Micropiles in combination with the ECP Model 350MP system, will penetrate deeply through debris, rock layers and cobbles while supporting the structure. When used in conjunction with portable drilling systems, such as the TEI MP-250, Hollow Bar Micropiles can be installed in basements, low overhead areas and other limited access situations to help stabilize structures with a deep foundation system. So if your foundation stabilization project calls for a high strength, deep foundation underpinning system in obstructed soils, the ECP Model 350MP engineered bracketing system can solve your problem.



Benefits:

- Little to No vibration
- Installs with Portable Equipment
- Fully Adjustable Lifting
- High Performance
- Engineer Designed and Tested
- High Load Capacity
- Can Penetrate Obstructions

**EARTH
CONTACT
PRODUCTS**

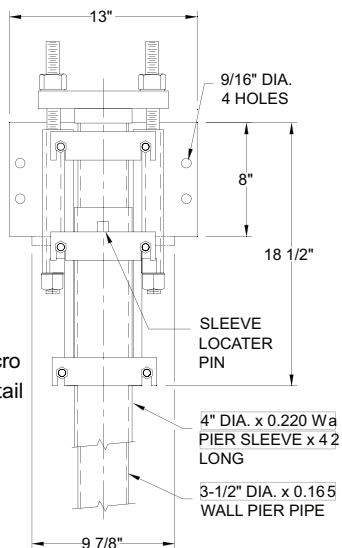
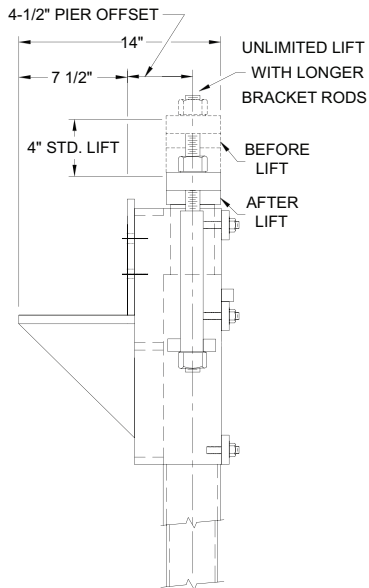
1-866-327-0007

15612 S Keeler Terr.
Olathe, Ks 66062
Phone: 913-393-0007
Fax: 913-393-0008
info@getecp.com
www.getecp.com

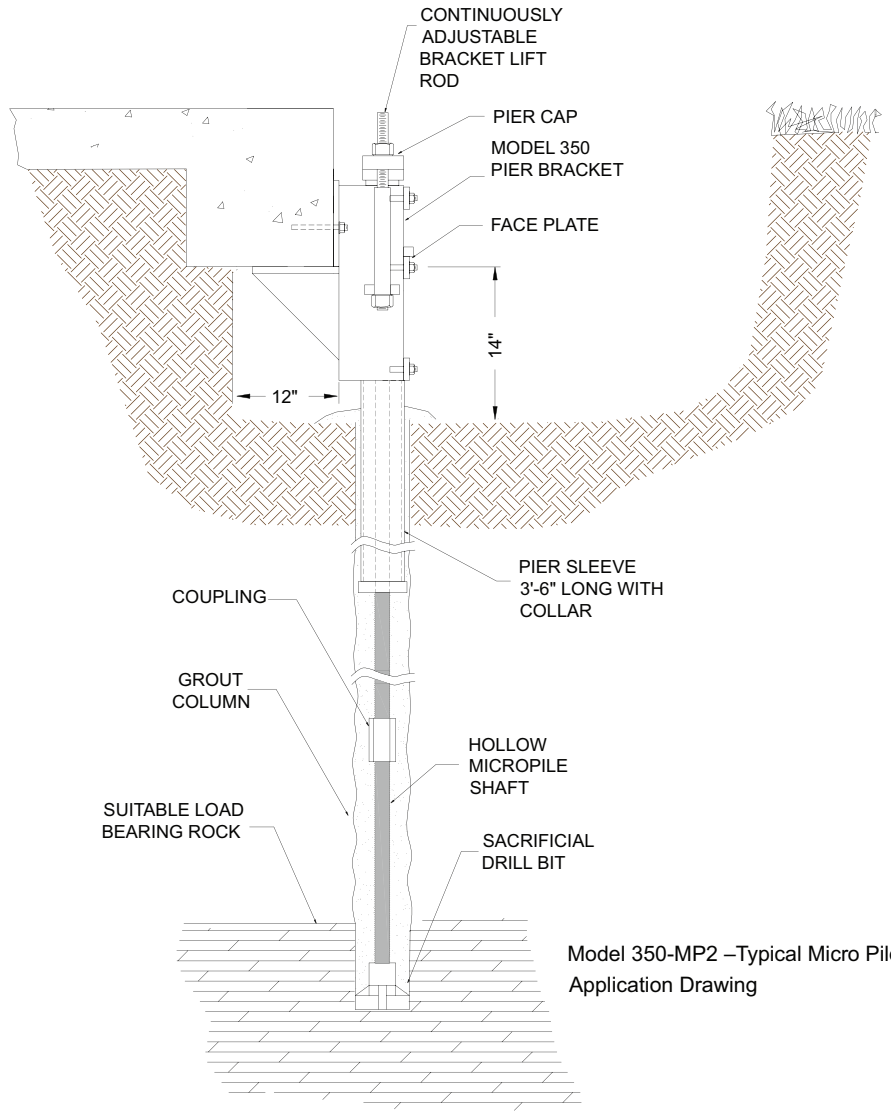
ECP



ECP Model 350MP



Model 350-MP2 Micro Pile Bracket Detail



Model 350-MP2 - Typical Micro Pile Application Drawing

Benefits of the Micro Pier System:

- Bracket is a pre-engineered and pre-tested product
- Capacity ratings of 75,000-99,000 lbs
- Quickly Installs to the TEI Drill Rig MP-250
- Integrated Manifold Lift Design
- Minimal Site Preparation
- Installs in Low Head Room Areas or Limited Access Areas
- System Handles Difficult Ground Conditions
- Easily Load Tested to Verify Capacity
- Designed to Transfer Load to the Full Length of the Pile
- Cost Effective due to ease of operation and design

EARTH CONTACT PRODUCTS

1-866-327-0007

15612 S Keeler Terr.
Olathe, Ks 66062
Phone: 913-393-0007
Fax: 913-393-0008
info@getecp.com
www.getecp.com

ECP